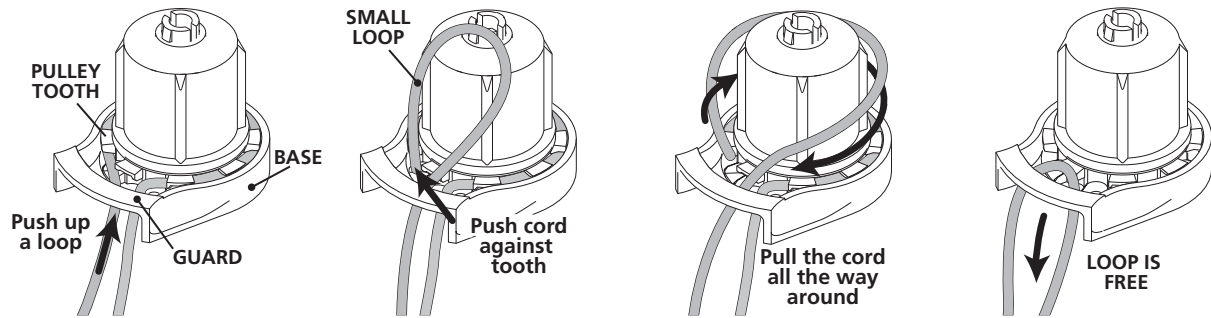


# IMPORTANT: Do not disassemble the clutch.

## 1. Remove the old control cord.



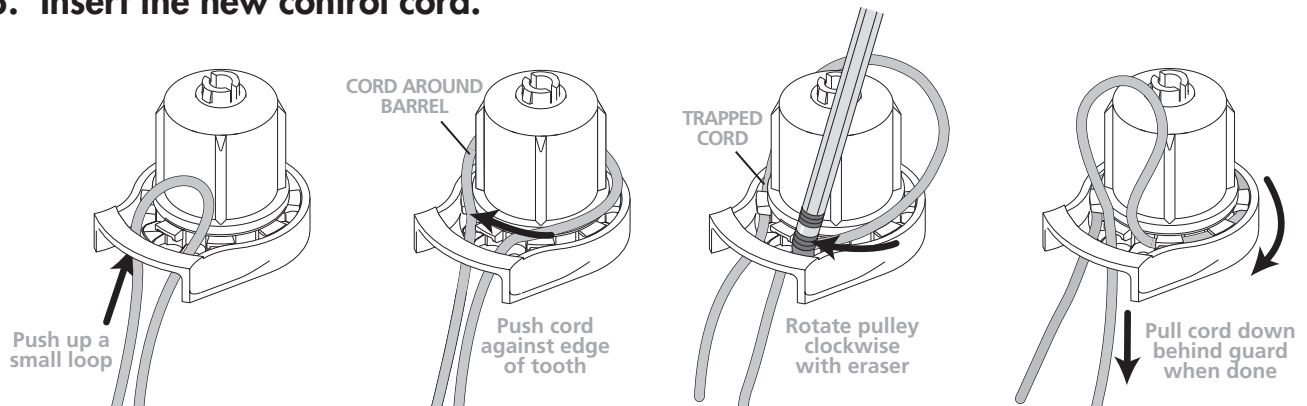
Hold the clutch by its base. With your other hand, push a small loop of cord up to the front from behind the guard.

With the hand that's not holding the base, bend the cord sharply against the first pulley tooth. Push or pull the cord hard enough to move

the pulley. Use the cord as a handle to pull the pulley all the way around until the cord is completely out of the pulley.

## 2. Select an appropriate cord length for the shade.

## 3. Insert the new control cord.



Push a loop up from behind the guard. Firmly push the cord clockwise against a tooth edge, until the pulley moves, trapping the cord in the pulley.

Use a pencil eraser to rotate the pulley clockwise, one tooth at a time, all the way around to the other side.

A loop will remain in front of the guard. Pull on the cord from behind the guard until the the entire loop falls behind the guard.



Customer Service:  
Toll-Free Order Line:(866) 230-4700  
If Local to Massachusetts, call 978-470-8082  
Fax: (978) 475-6496  
E-mail: [sales@northsolarscreen.com](mailto:sales@northsolarscreen.com)

Address:  
North Solar Screen, LLC  
9 Bartlet Street, Suite 231  
Andover, MA. 01810