

FASCIA WITH BACK PLATE INSTALLATION INSTRUCTIONS

•**Back Plate** is the angle shaped piece with both 'legs' the same length. The bottom edge of one leg has a flange or molding on it that is designed to hook around the bottom corner of the fascia bracket. The top 'leg' of the Back Plate has a smooth front edge.

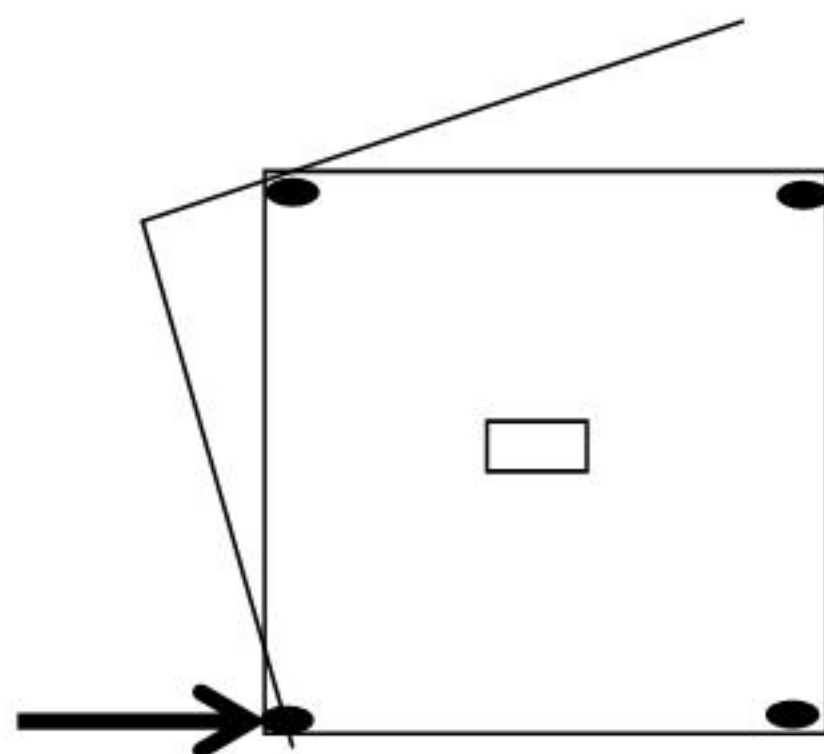
•**Front plate** is the angle shaped piece that has one 'leg' longer than the other. The shorter 'leg' goes underneath the roller, leaving a gap for the shade to drop out. The longer leg has a flange molded into the top edge that is designed to hook around the front corner of the fascia bracket.

•**Back Plate** covers the top of the shade and the back. It is cut to your width specification and does not have any holes drilled in it. If ceiling mounting, you will need to drill holes on the top that match up with the fascia bracket holes; if face mounting, you will drill them on the back. For inside (side) mounts, you will not need to drill holes in the back plate, but you will need to drill holes in the fascia brackets themselves.

•To operate correctly, all shades must be mounted **LEVEL**.

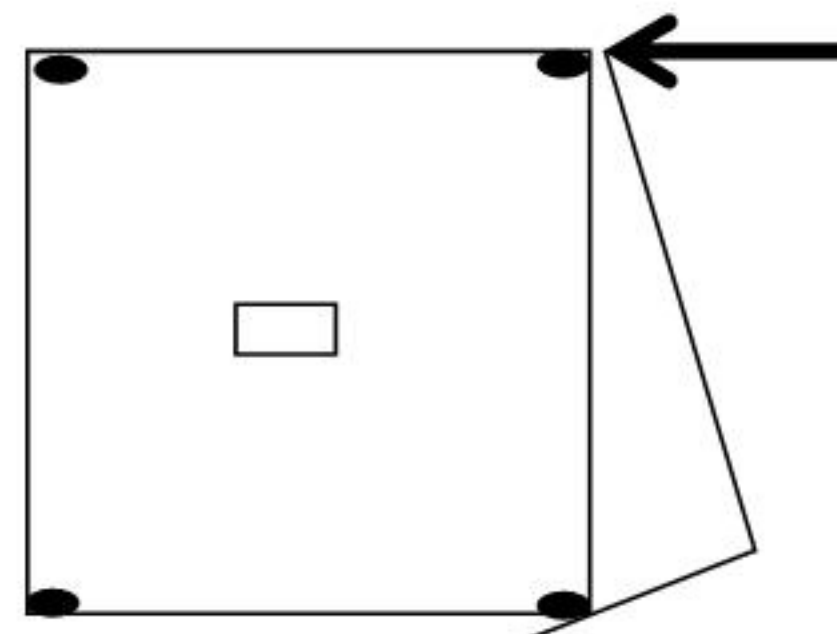
Instructions:

1. Hook the **Back plate** to the bottom corner of the brackets with the molded flange. The 'open' side of the fascia bracket must point downwards when it is mounted; the folded over edges of the bracket are the sides and top. If the shade is very wide you may want to temporarily secure them with a piece of tape where it won't show.
2. If face mounting, drill holes through the back of the **Back Plate** where the fascia bracket holes are; if ceiling mounting, drill holes through the top of the **Back Plate** where the fascia bracket holes are; if side mounting, drill holes through the square fascia brackets themselves.
3. Mount the fascia brackets and **Back Plate** with screws.
4. Check with a level to make sure that the fascia is mounted perfectly level. Your shade will not roll correctly if it is mounted crooked.
5. Install the shade in the brackets. Make sure it rolls up and down straight.
 - a. If it 'telescopes' off the end of the roller, you will need to correct this either by adjusting the brackets to make sure it is mounted level, or by adding small pieces of masking tape to the back of the shade fabric, in the "roller wrap" (shade fabric that is left on the roller beyond the height you ordered) on the side **OPPOSITE** the telescoping fabric.
 - b. If it is a chain drive shade you need to place the bead stoppers on the chain to prevent the shade going up or down too far.
 - c. If it is a motorized shade you will need to set the limit stops on the motor, following the instructions that pertain to your model of motor.
6. Snap the front of the fascia onto the brackets by hooking the molded flange on the top of the longer



Back Plate closest to **window**.
Hook Tab into **bottom** Slot

Side Views of Fascia Bracket

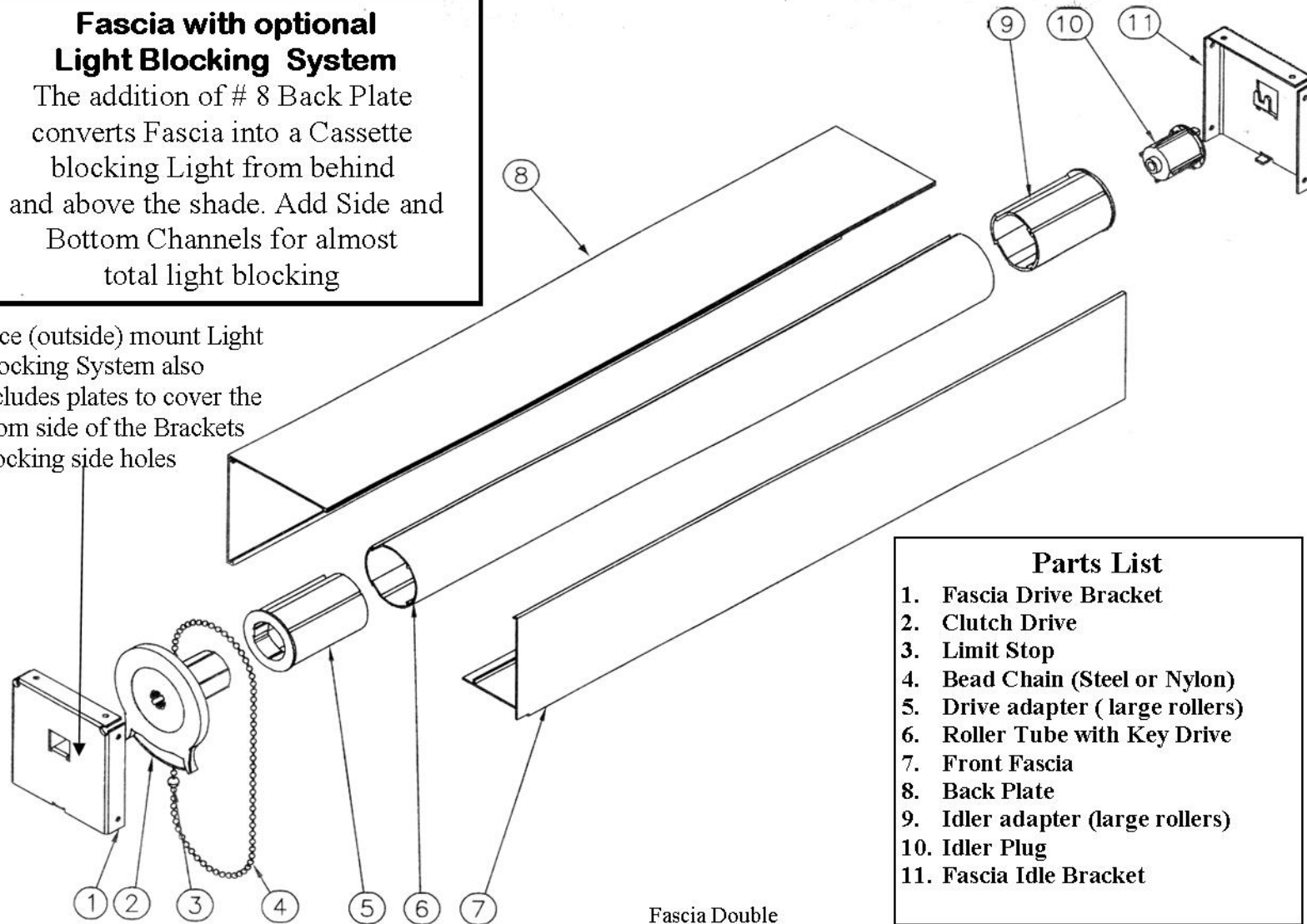


Front Fascia closest to **room**.
Hook Tab into **top** Slot

**Fascia with optional
Light Blocking System**

The addition of # 8 Back Plate converts Fascia into a Cassette blocking Light from behind and above the shade. Add Side and Bottom Channels for almost total light blocking

Face (outside) mount Light Blocking System also includes plates to cover the room side of the Brackets blocking side holes



- Parts List**
1. Fascia Drive Bracket
 2. Clutch Drive
 3. Limit Stop
 4. Bead Chain (Steel or Nylon)
 5. Drive adapter (large rollers)
 6. Roller Tube with Key Drive
 7. Front Fascia
 8. Back Plate
 9. Idler adapter (large rollers)
 10. Idler Plug
 11. Fascia Idle Bracket

Fascia Double