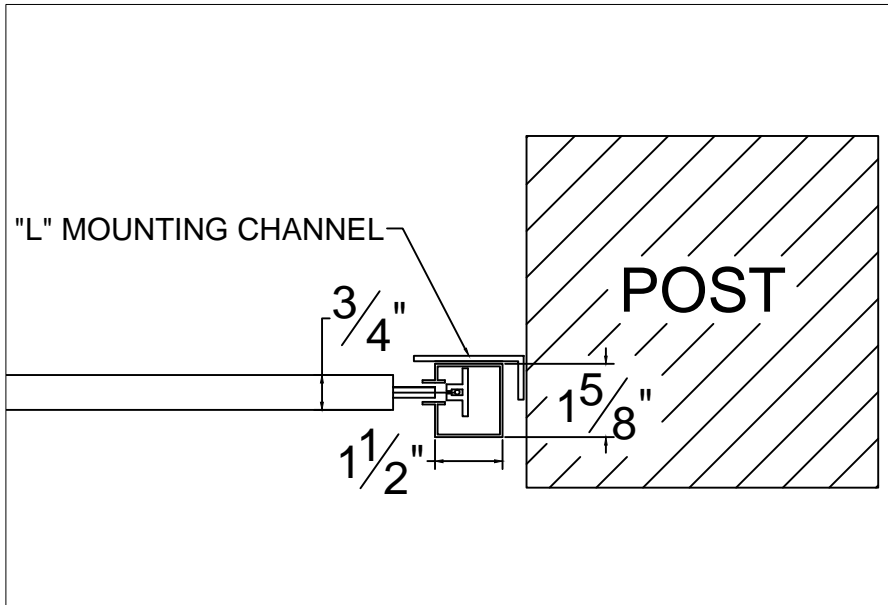
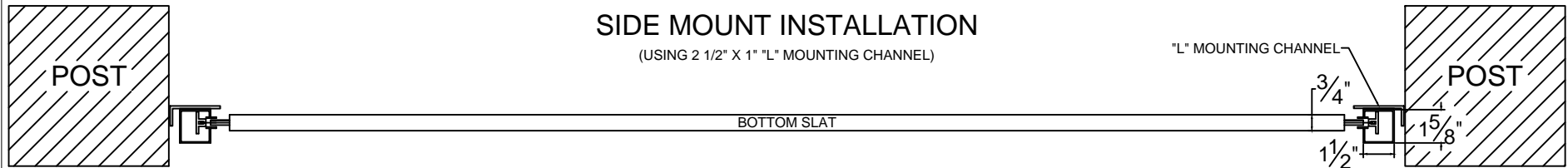


SIDE MOUNT INSTALLATION

(USING 2 1/2" X 1" "L" MOUNTING CHANNEL)



SIDE TRACK DETAIL

MATERIAL & FINISHES

BOX:

6063 T5 EXTRUDED ALUMINUM

TRACKS:

6063 T5 EXTRUDED ALUMINUM

FINISH:

HEAVY DUTY POWDER COAT

FABRICS:

SOLAR FABRICS, 100% BLACKOUT,
AND CLEAR VINYL

OPERATION:

MOTORIZED OR CRANK GEAR

PLAN VIEW (TOP VIEW)

FORTRESS ZIPPER TRACK SYSTEM

NORTH SOLAR SCREEN
WWW.NORTHSOLARSCREEN.COM
866-230-4700